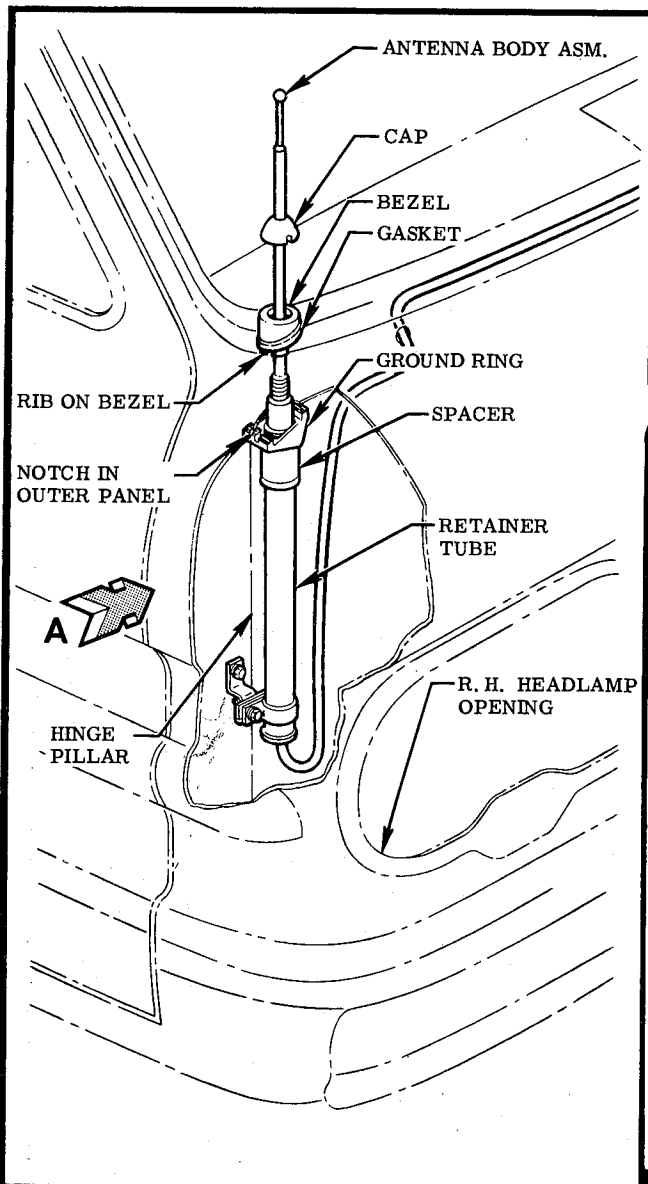


**ANTENNA  
985444  
CORVAIR 95**



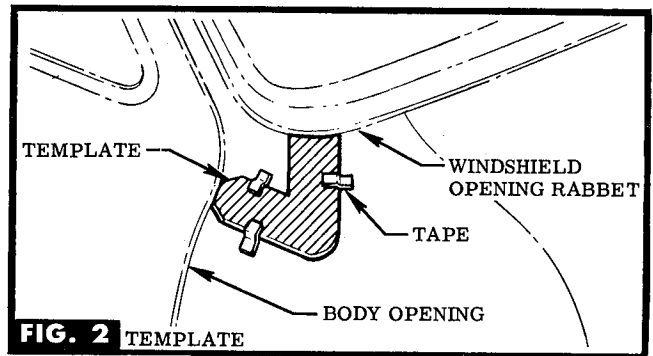
**FIG. 1** ANTENNA MOUNTING

**STEP 1** ALIGN TEMPLATE ON RIGHT HAND BODY FRONT OUTER PANEL, TAPE IN PLACE, CENTER PUNCH & DRILL AS INDICATED ON TEMPLATE. REMOVE ANY RESULTANT BURRS. SEE FIG. 2.

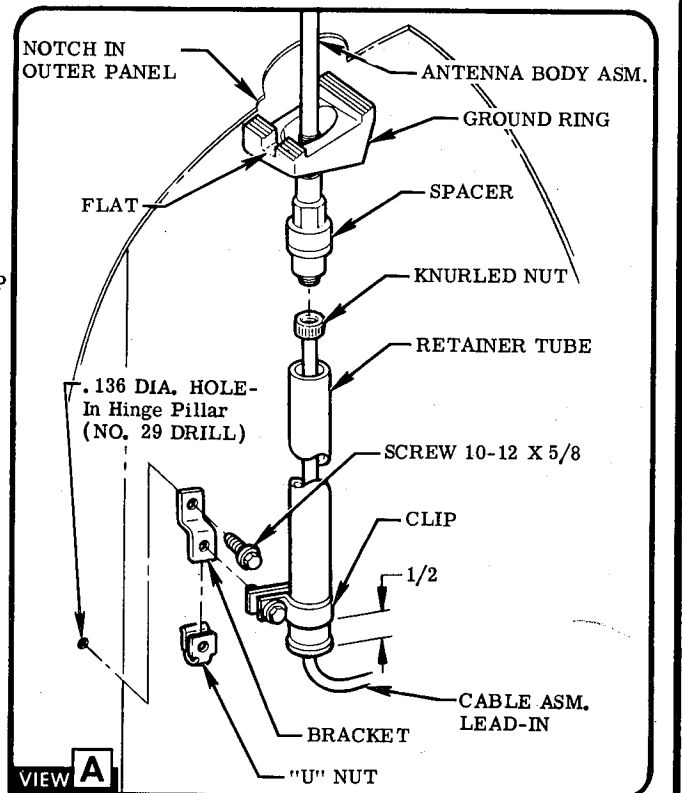
**STEP 2** REMOVE RIGHT HAND HEADLAMP.

**STEP 3** SLIDE SPACER & GROUND RING OVER ANTENNA BODY ASSEMBLY. SEE VIEW A.

**STEP 4** INSERT ANTENNA BODY ASM. THRU HEADLAMP OPENING & UP THRU HOLE IN OUTER PANEL. ALIGN FLAT ON GROUND RING UNDER NOTCH IN OUTER PANEL. SEE VIEW A.



**FIG. 2** TEMPLATE

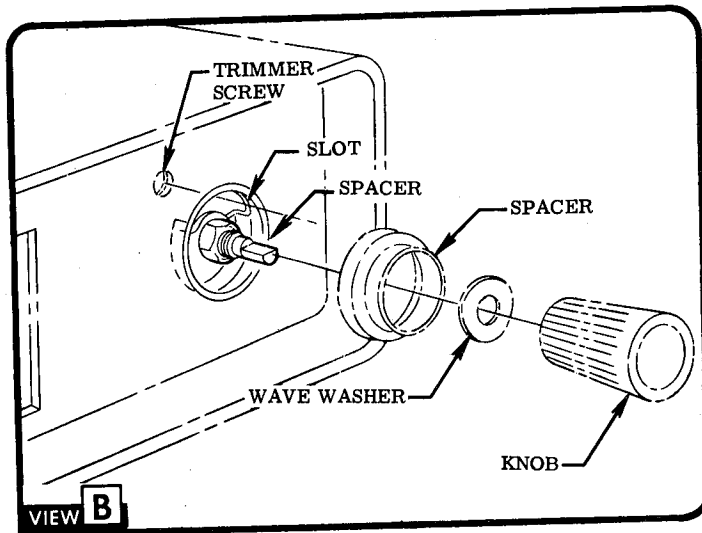


**VIEW A**

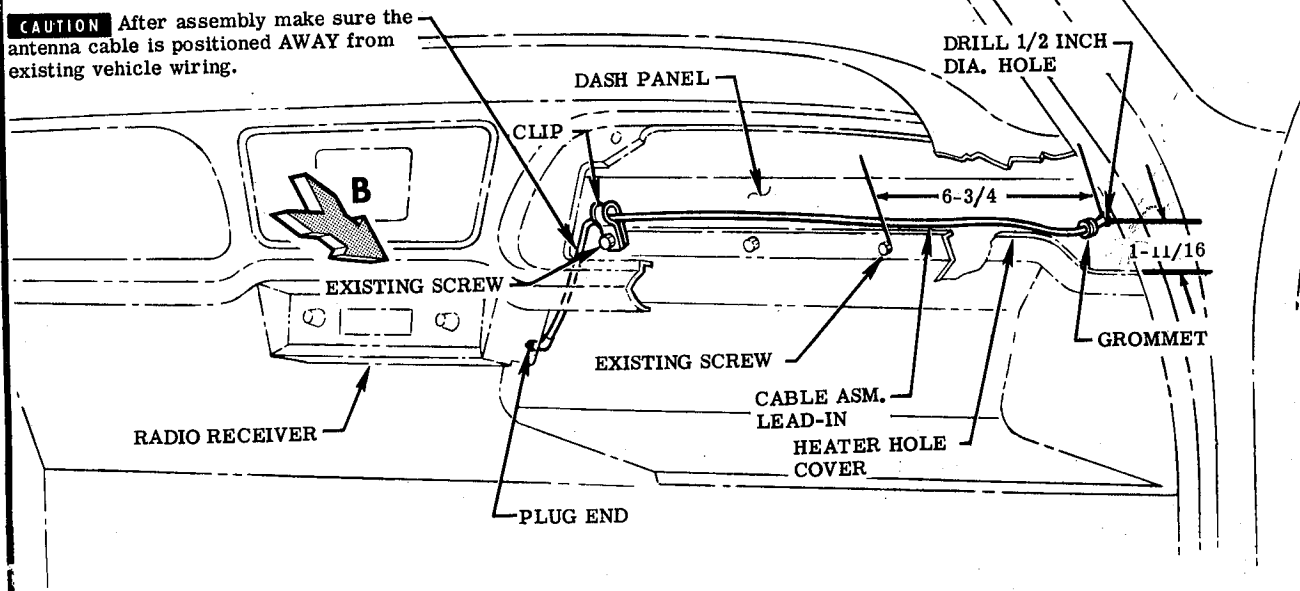
**STEP 5** SUB-ASSEMBLE GASKET & BEZEL. PLACE GASKET, BEZEL & CAP ONTO ANTENNA BODY ASM., POSITION RIB ON BEZEL INTO NOTCH IN OUTER PANEL. SECURE CAP WITH SPANNER WRENCH. SEE FIG. 1 & VIEW A.

**STEP 6** INSERT CABLE ASM. LEAD-IN THRU RETAINER TUBE & CAREFULLY TIGHTEN KNURLED NUT TO ANTENNA BODY ASM. WITH GAS PLIERS. SCREW RETAINER TUBE ONTO ANTENNA BODY ASSEMBLY. SEE VIEW A.

**STEP 7** ASSEMBLE CLIP, BRACKET & "U" NUT TO RETAINER TUBE AT DIMENSION SHOWN WITH ONE OF PROVIDED SCREWS. USING BRACKET AS A TEMPLATE, DRILL HOLE IN HINGE PILLAR & ATTACH BRACKET TO PILLAR WITH REMAINING SCREW. SEE FIG. 1 & VIEW A.



**CAUTION** After assembly make sure the antenna cable is positioned AWAY from existing vehicle wiring.



**FIG. 3 CABLE ASSY. LEAD-IN**

**STEP 8** REMOVE INSTRUMENT PANEL COMPARTMENT. LOCATE & DRILL HOLE IN DASH PANEL FROM INNER SIDE THRU INSTRUMENT PANEL COMPARTMENT OPENING. SEE FIG. 3.

**STEP 9** ROUTE PLUG END OF CABLE ASM. THRU THE DRILLED HOLE. SEE FIG. 3. **CAUTION** Do not kink or bend cable asm. sharply at any time.

**STEP 10** SLIDE GROMMET OVER PLUG END OF CABLE ASM. & SNAP INTO HOLE IN DASH PANEL. SEE FIG. 3.

**STEP 11** ROUTE CABLE ASM. ACROSS TOP OF HEATER HOLE COVER & SECURE WITH CLIP & EXISTING SCREW.

PLUG INTO REAR OF RADIO RECEIVER. SEE FIG. 3.

**STEP 12** REMOVE EXISTING KNOB, WAVE WASHER & SPACER FROM RIGHT HAND RADIO RECEIVER CONTROL TO GAIN ACCESS TO ANTENNA TRIMMER SCREW. SEE VIEW B.

**STEP 13** ADJUST ANTENNA; TUNE DIAL TO WEAK STATION BETWEEN 800 & 1000-KC WITH VOLUME TO OR NEAR MAXIMUM. ADJUST TRIMMER SCREW FOR HIGHEST VOLUME AT SPEAKER. SEE VIEW B. **NOTE** Adjust screw thru slot in spacer.

**STEP 14** REPLACE ALL PARTS PREVIOUSLY REMOVED.